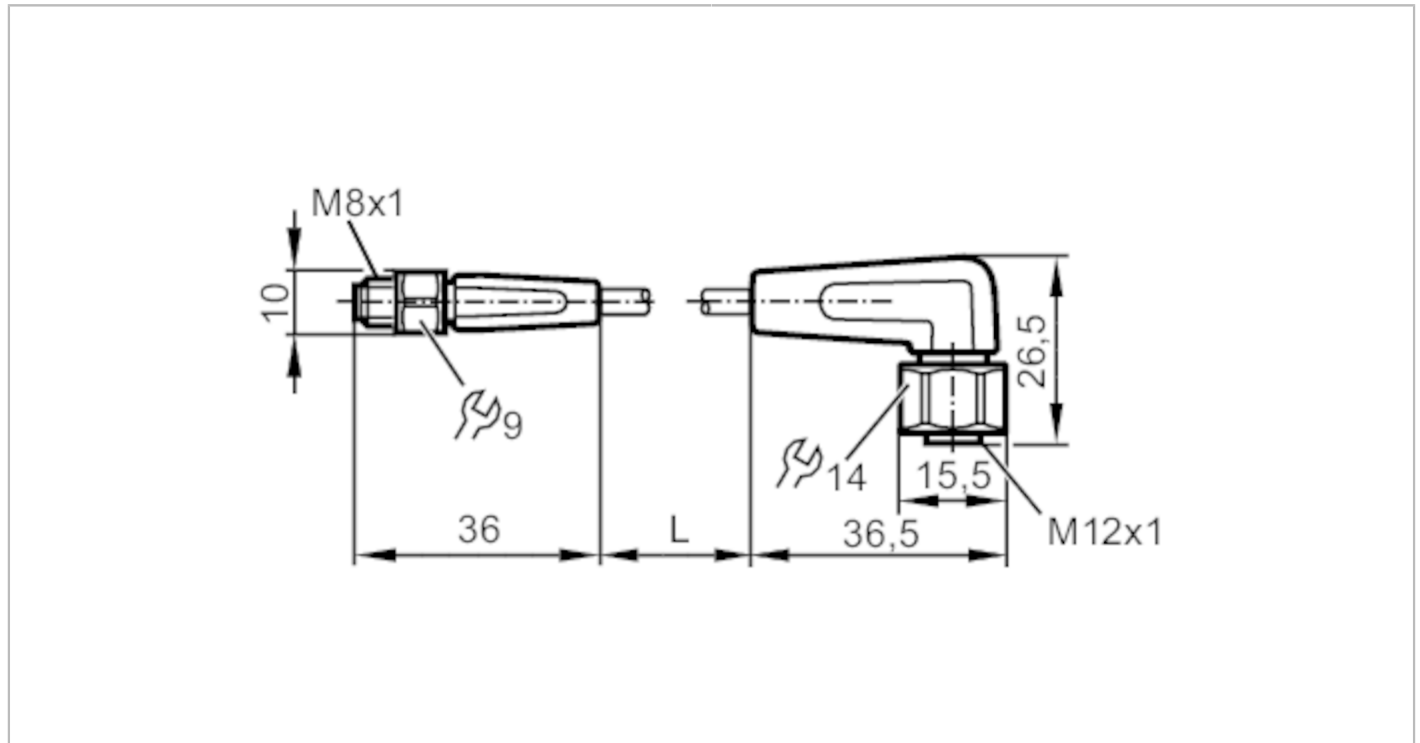


EVF265



Connection cable

VDOAH030VAS00,3P03STGF030VAS



| Application | |
|-----------------------------------|--|
| Special feature | Free from silicone; Halogen-free; Gold-plated contacts; Drag chain suitability |
| Application | hygienic and wet areas in the food industry |
| Free from silicone | yes |
| Electrical data | |
| Operating voltage [V] | < 50 AC / < 60 DC; (cULus: 30 AC / 30 DC) |
| Protection class | III |
| Max. current load total [A] | 3 |
| Operating conditions | |
| Ambient temperature [°C] | -25...80 |
| Ambient temperature (moving) [°C] | 5...80 |
| Protection | IP 65; IP 67; IP 68; IP 69K |
| Tests / approvals | |
| UL approval | power supply Class 2 |
| Mechanical data | |
| Weight [g] | 30.9 |
| Dimensions [mm] | 10 x 10 x 36 |
| Materials | housing: PP Halogen-free; Sealing: EPDM |
| Material nut | stainless steel (1.4404 / 316L) |
| Drag chain suitability | yes |

EVF265



Connection cable

VDOAH030VAS00,3P03STGF030VAS

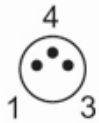
| | | |
|------------------------|---------------------------------|--|
| Drag chain suitability | bending radius for flexible use | min. 10 x cable diameter |
| | travel speed | max. 3.3 m/s for a horizontal travel length of 5 m and max. acceleration of 5 m/s ² |
| | bending cycles | > 1 Mio. |
| | torsional strain | ± 180 °/m |

Remarks

Pack quantity 1 pcs.

Electrical connection - plug

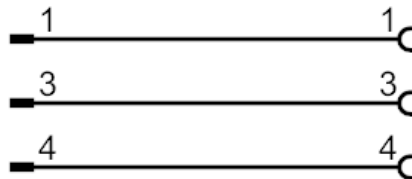
Connector: 1 x M8, straight; coding: A; Locking: stainless steel (1.4404 / 316L); Contacts: gold-plated; Tightening torque: 0.3...0.5 Nm



Electrical connection

Cable: 0.3 m, MPPE, Halogen-free, grey, Ø 4.9 mm; 3 x 0.34 mm² (42 x Ø 0.1 mm)

Connection



Electrical connection - socket

Connector: 1 x M12, angled; coding: A; Locking: stainless steel (1.4404 / 316L); Contacts: gold-plated; Tightening torque: 0.6...1.5 Nm

